

42MBG外部驱动式滚珠直线步进电机

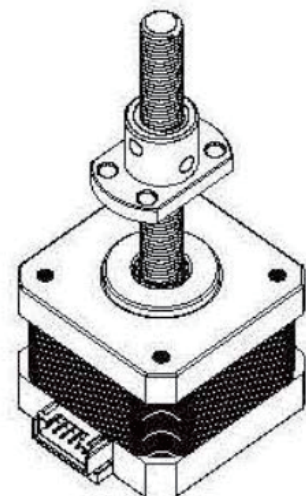
External Linear Actuator With Ball Screw – NEMA 17

Nema17一体式滚珠丝杠和电机，不带联轴器。提供具有不同电机高度和不同丝杠长度的版本；还提供用于位置反馈的内置编码器。

Nema17 integrated ball screw and motor without coupling. Versions with different motor heights and different screw lengths are available; built-in encoders for position feedback are also available.

Feature

- Multiple specifications available 提供多种规格
- Longer life and higher accuracy 更长的寿命和更高的精度
- Different lengths available 提供不同长度
- A built-in encoder available. 提供内置编码器。
- Motor Controllers / Drives available 电机控制器/驱动器可用
- 0.0005mm/step with our controller 使用控制器时，0.0005mm /步



VERSIONS

系列代码 Series models	42H34MBG	42H48MBG
相电流 Current per Winding A	1.5	1.5
静力矩 Holding Torque mN.m	260	430
相电阻 Resistance per Winding Ohm	1.56	2.0
相电感 Inductance per Winding mH	2.4	3.85
转子惯量 Rotor Inertia gcm ²	38	82
电机重量 Weight kg	0.12	0.18
电机高度 Length "L" mm	34	48
螺杆长度 Screw length*L1	Different lengths available	Different lengths available
反馈装置 Feedback	Encoder(Closed-loop version)	Encoder(Closed-loop version)

订货代号 ORDER IDENTIFIER

42H34MBG0802E2000-L1
MBG0802=Ball Screw code
丝杠代码

L1 = Screw length
丝杠长度

E2000=Encoder resolution(Optional)
编码器分辨率 (可选)

可选螺杆 Screw optional

Screw	Diameter	Screw lead
G0802	8mm	02
G0805	8mm	05

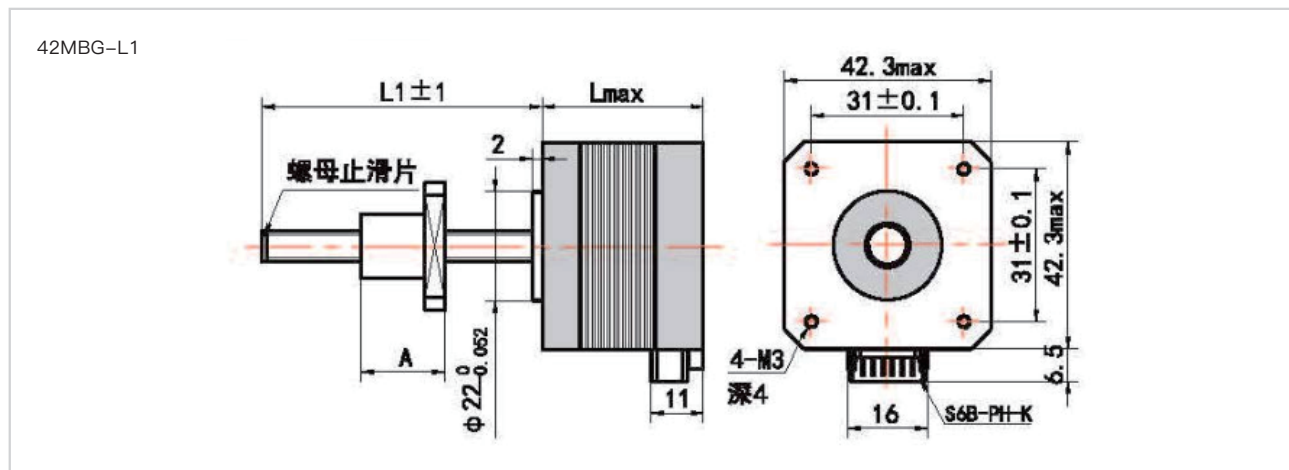
可选配件 ACCESSORIES

ZK-ENC-500 Encoder Cable 0.5m
Motor Controllers / Drives

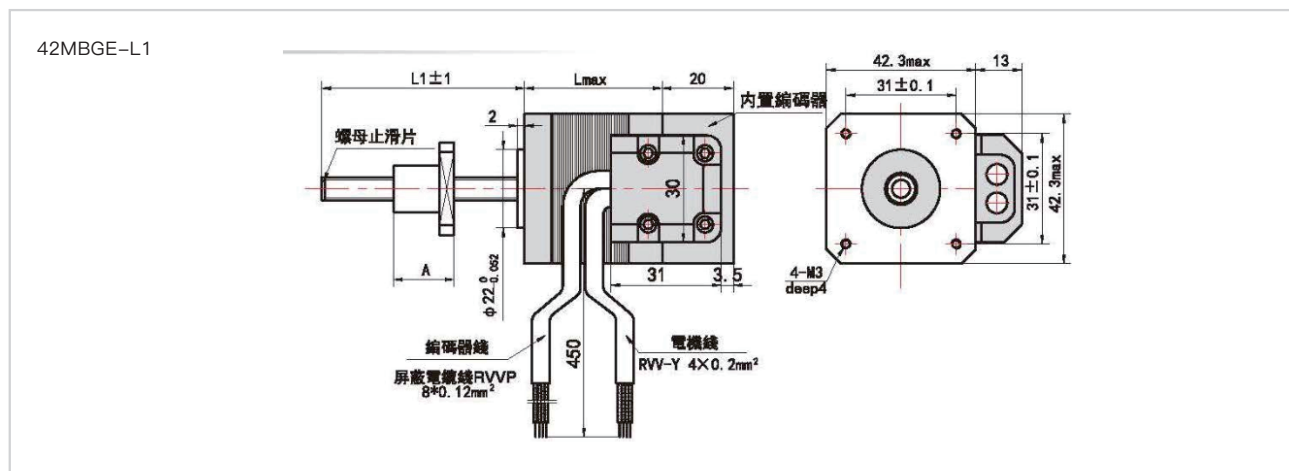
42MBG外部驱动式滚珠直线步进电机

External Linear Actuator With Ball Screw – NEMA 17

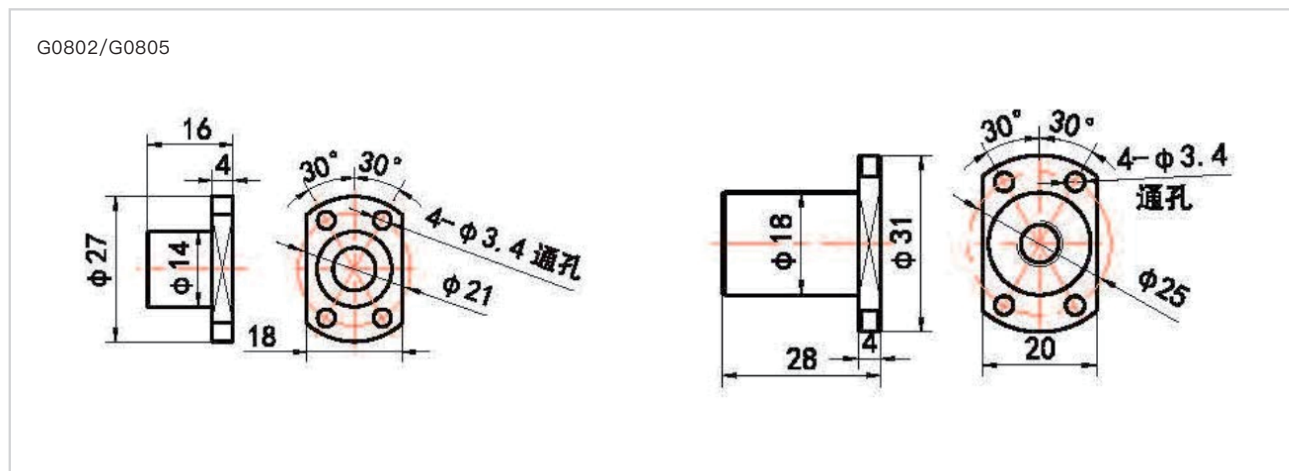
DIMENSIONS (IN MM)



DIMENSIONS (IN MM)



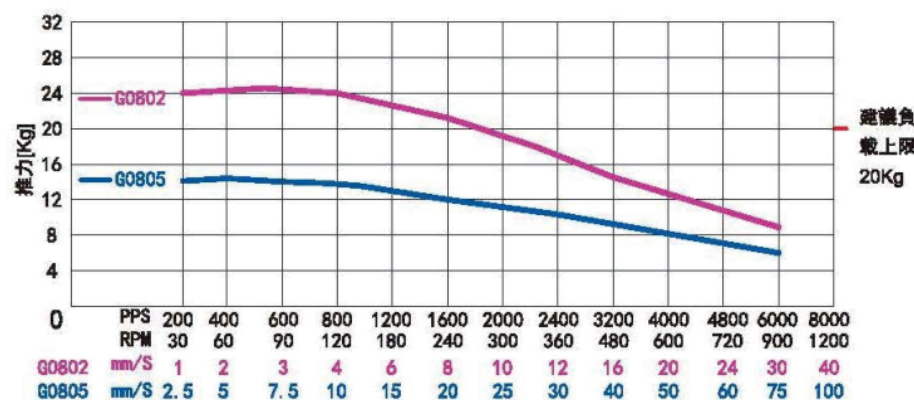
DIMENSIONS (IN MM)



42MBG外部驱动式滚珠直线步进电机

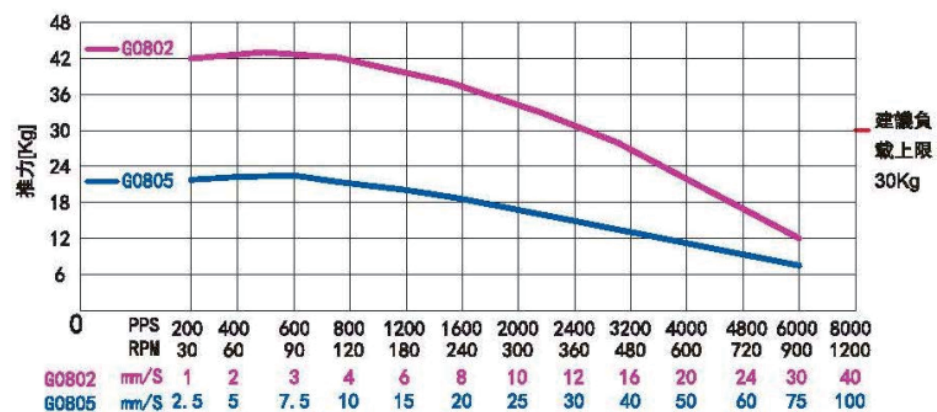
External Linear Actuator With Ball Screw – NEMA 17

Force-Velocity Curve-42MBG



*Measured in the laboratory, safety margin must be greater than the above value 30% to 50%

Force-Velocity Curve-42H48MBG



57MBG外部驱动式滚珠直线步进电机

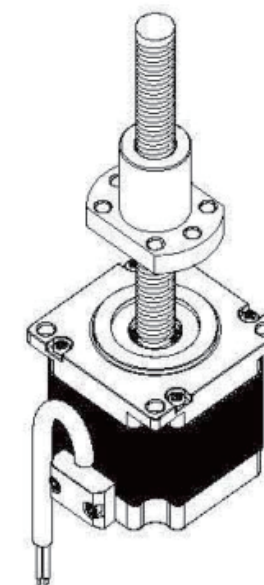
External Linear Actuator With Ball Screw – NEMA 23

NEMA 23 (56 mm) 线性执行器，具有高推力和拉力。无需联轴器。滚珠丝杠具有更长的使用寿命和更高的精度。还提供用于位置反馈的内置高精度编码器。精密线性轴的理想选择

NNEMA 23 (56 mm) linear actuator with high thrust and pull. Without the need for a coupling. Ball screws have a longer life and higher accuracy. A built-in high-precision encoder for position feedback is also available. Ideal for precision linear axes

Feature

- Integrated ball screw & motor 集成滚珠丝杠和电机
- Longer life and higher accuracy 更长的寿命和更高的精度
- Different lengths available 提供不同长度
- A built-in encoder available. 提供内置编码器。
- Motor Controllers / Drives available 电机控制器/驱动器可用
- 0.0025mm/step with our controller •使用我们的控制器为0.0025mm /步



VERSIONS

系列代码 Series models	57H45MBG	57H56MBG	57H76MBG
相电流 Current per Winding A	2.0	3.0	4.0
静力矩 Holding Torque mN.m	0.7	1.3	1.6
相电阻 Resistance per Winding Ohm	1.63	1.1	0.5
相电感 Inductance per Winding mH	5.8	3.2	1.25
转子惯量 Rotor Inertia gcm ²	155	280	460
电机重量 Weight kg	0.5	0.63	1
电机高度 Length "L" mm	45	56	76
螺杆长度 Screw length*L1	Different lengths available	Different lengths available	Different lengths available
反馈装置 Feedback	Encoder(Closed-loop version)	Encoder(Closed-loop version)	Encoder(Closed-loop version)

订货代号 ORDER IDENTIFIER

56H45MBG1202E2000-L1
 MBG1202=Ball Screw code
 丝杠代码

L1 = Screw length
 丝杠长度

E2000=Encoder resolution(Optional)
 编码器分辨率 (可选)

可选螺杆 Screw optional

Screw	Diameter	Screw lead
G1202	12mm	2mm
G1204	12mm	4mm
G1205	12mm	5mm
G1605	16mm	5mm
G1610	16mm	10mm
G1616	16mm	16mm

可选配件 ACCESSORIES

ZK-ENC-500 Encoder Cable 0.5m
 *Length can be customized
 Motor Controllers / Drives