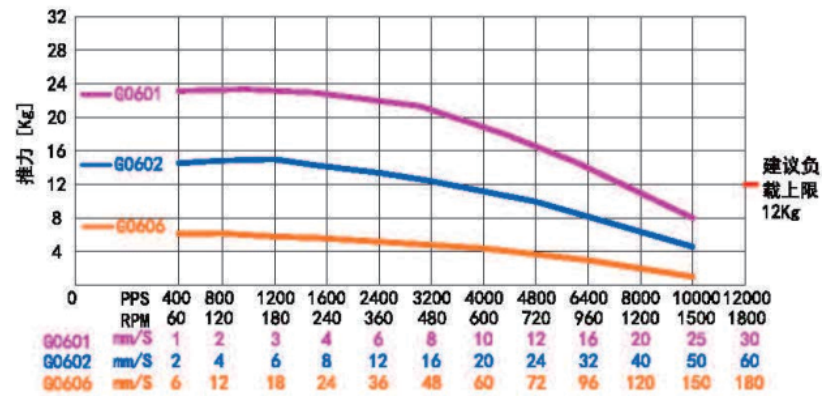


28MBG外部驱动式滚珠直线步进电机

External Linear Actuator With Ball Screw – NEMA 11

Force-Velocity Curve-28H51MBG



*Measured in the laboratory, safety margin must be greater than the above value 30% to 50%

35MBG外部驱动式滚珠直线步进电机

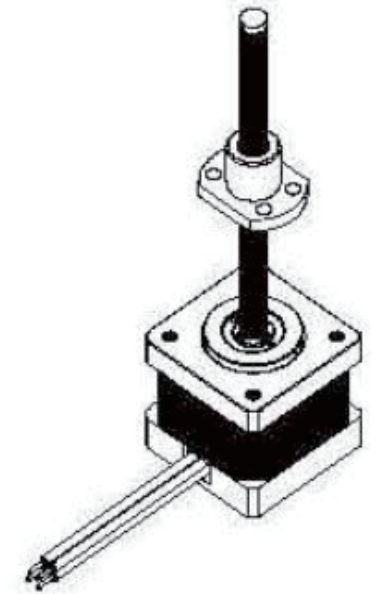
External Linear Actuator With Ball Screw – NEMA 14

Nema14外部线性执行器集成了滚珠丝杠和电机，无联轴器，使用寿命更长，精度更高。提供不同长度的螺钉。还提供用于位置反馈的内置编码器。适用于医疗，光学和其他应用

Nema14 external linear actuator integrated ball screw & motor, without coupling. Provide longer life and better accuracy. Screws of different lengths available. A built-in encoder for position feedback is also available. Suitable for medical, optical and other applications

Feature

- Integrated ball screw & motor 集成滚珠丝杠和电机
- Longer life and higher accuracy 更长的寿命和更高的精度
- Different lengths available 提供不同长度
- A built-in encoder available. 提供内置编码器。
- Motor Controllers / Drives available 电机控制器/驱动器可用
- 0.0002mm/step with our controller 使用控制器时，0.0002mm /步



VERSIONS

系列代码 Series models	35H34MBG
相电流 Current per Winding A	1.0
静力矩 Holding Torque mN.m	160
相电阻 Resistance per Winding Ohm	2.7
相电感 Inductance per Winding mH	3
转子惯量 Rotor Inertia gcm ²	18
电机重量 Weight kg	0.18
电机高度 Length "L" mm	34
螺杆长度 Screw length*L1	Different lengths available
反馈装置 Feedback	Encoder(Closed-loop version)

订货代号 ORDER IDENTIFIER

35H34MBG0601E2000-L1
 MBG0601=Ball Screw code
 丝杠代码

 L1 = Screw length
 丝杠长度

 E2000=Encoder resolution(Optional)
 编码器分辨率 (可选)

可选螺杆 Screw optional

Screw	Diameter	Screw lead
G0601	6mm	1mm
G0602	6mm	2mm
G0606	6mm	6mm
G0802	8mm	2mm
G0805	8mm	5mm

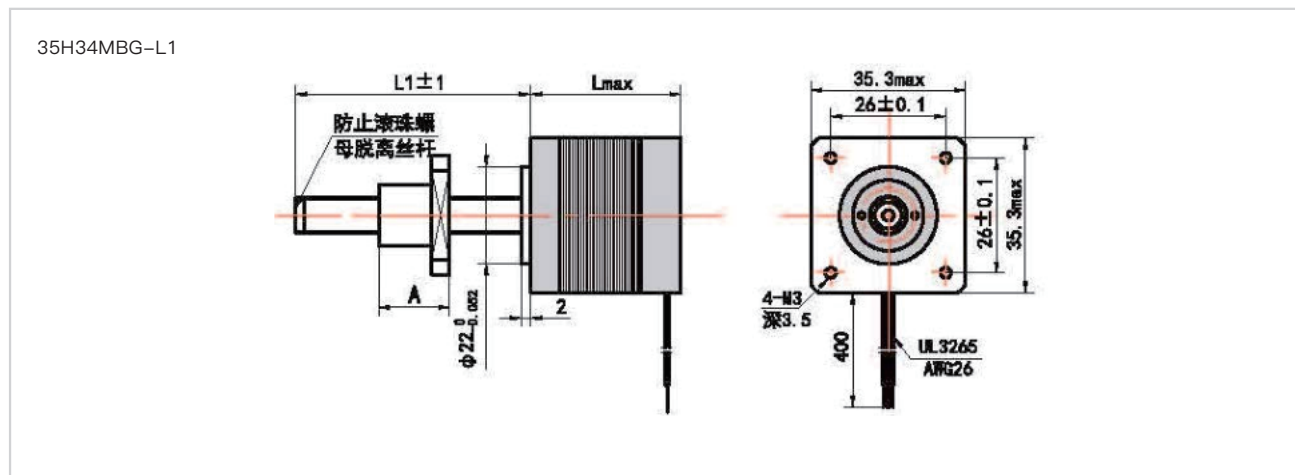
可选配件 ACCESSORIES

ZK-ENC-500 Encoder Cable 0.5m
 *Length can be customized
Motor Controllers / Drives

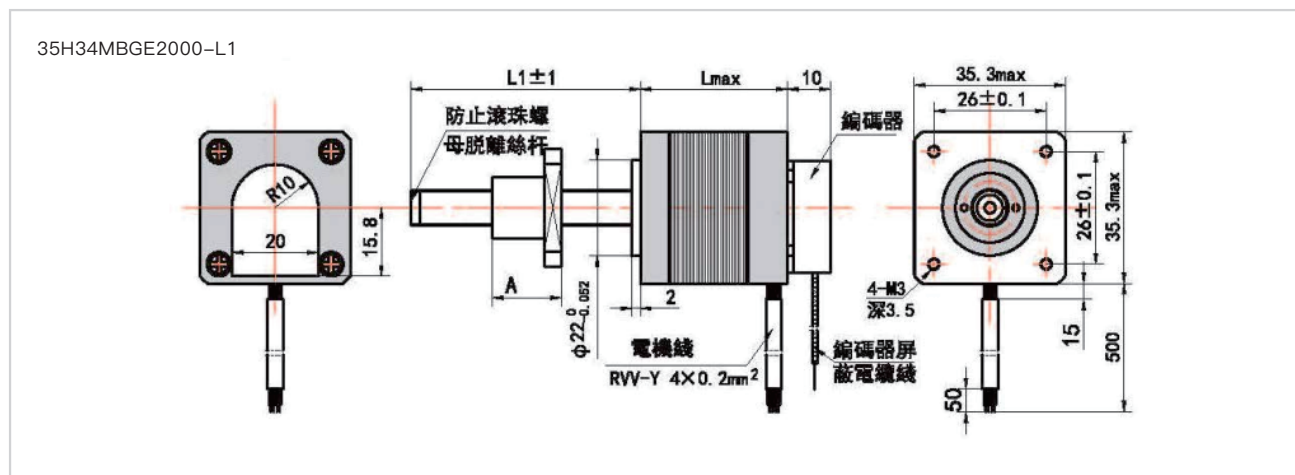
35MBG外部驱动式滚珠直线步进电机

External Linear Actuator With Ball Screw – NEMA 14

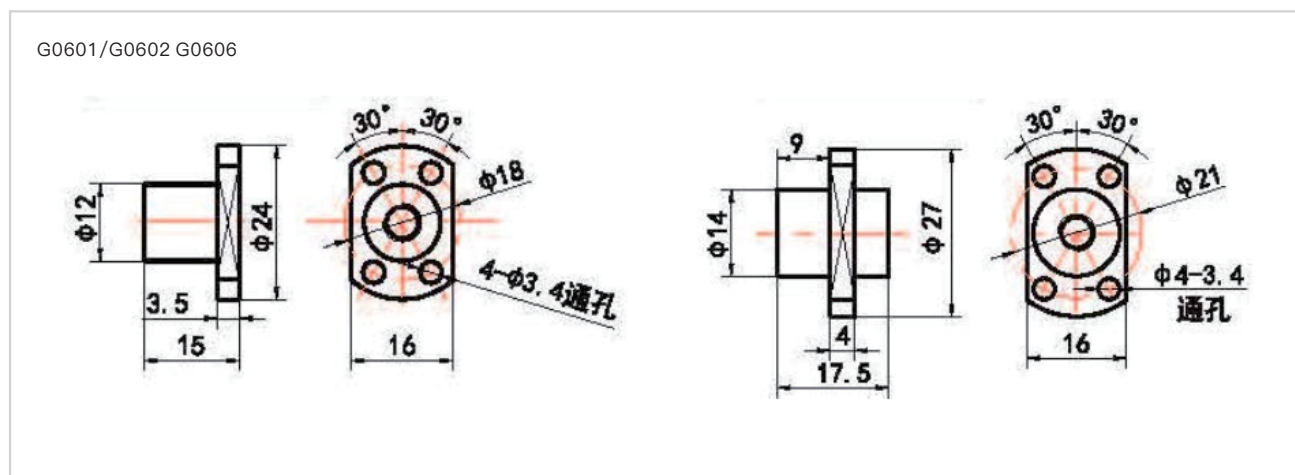
DIMENSIONS (IN MM)



DIMENSIONS (IN MM)



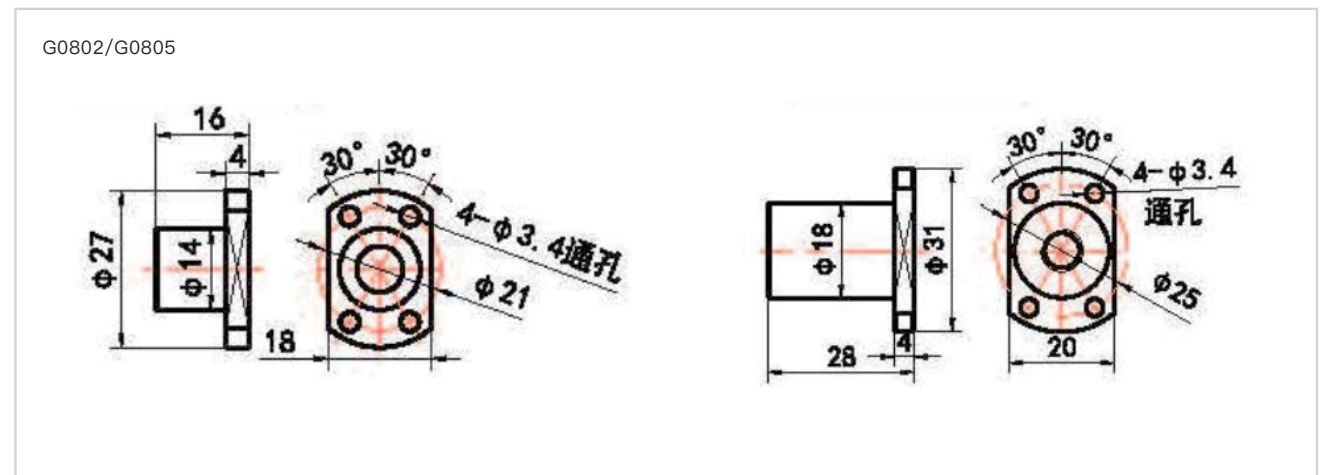
DIMENSIONS (IN MM)



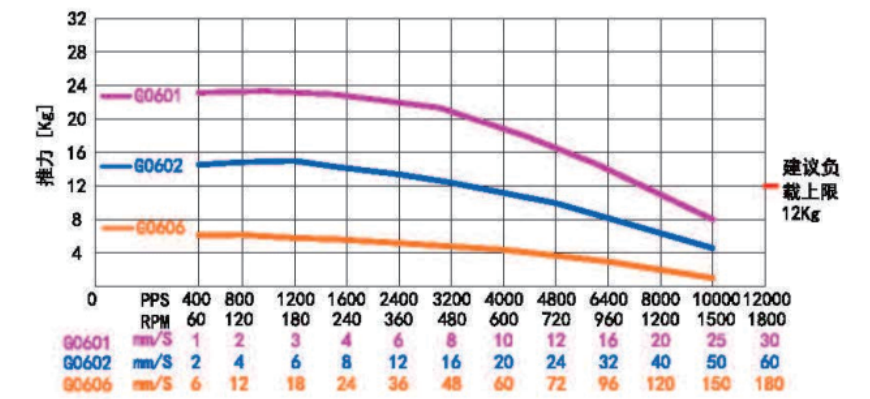
35MBG外部驱动式滚珠直线步进电机

External Linear Actuator With Ball Screw – NEMA 14

DIMENSIONS (IN MM)



Force-Velocity Curve



*Measured in the laboratory, safety margin must be greater than the above value 30% to 50%