

28MBG外部驱动式滚珠直线步进电机

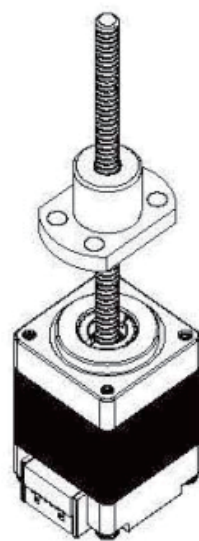
External Linear Actuator With Ball Screw – NEMA 11

Nema11集成滚珠丝杠电机，不带联轴器，电机与丝杠直接连接。提供两种电机高度版本。滚珠丝杠和螺母使用寿命更长，精度更高。提供不同长度的螺杆。还提供用于位置反馈的内置编码器。

Nema11 integrated ball screw motor, without coupling, the motor and screw are directly connected. Two motor height versions available. Ball screws and nuts provide longer life and better accuracy. Screws of different lengths available. A built-in encoder for position feedback is also available.

Feature

- Integrated structure 一体化结构
- Multiple specifications available 提供多种规格
- Longer life and higher accuracy 更长的寿命和更高的精度
- Different lengths available 提供不同长度
- A built-in encoder available. 提供内置编码器。
- Motor Controllers / Drives available 电机控制器/驱动器可用
- 0.0002mm/step with our controlle 使用控制器时, 0.0002mm /步



VERSIONS

系列代码 Series models	28H34MBG	28H51MBG
相电流 Current per Winding A	1.0	1.0
静力矩 Holding Torque mN.m	60	120
相电阻 Resistance per Winding Ohm	2.2	5.2
相电感 Inductance per Winding mH	1.2	4.3
转子惯量 Rotor Inertia gcm ²	9	18
电机重量 Weight kg	0.12	0.18
电机高度 Length "L" mm	34	51
螺杆长度 Screw length*L1	Different lengths available	Different lengths available
反馈装置 Feedback	Encoder(Closed-loop version)	Encoder(Closed-loop version)

订货代号 ORDER IDENTIFIER

28H34MBG0601E2000-L1

MBG0601=Ball Screw code
丝杠代码

L1 = Screw length
丝杠长度

E2000=Encoder resolution(Optional)
编码器分辨率 (可选)

可选螺杆 Screw optional

Screw	Diameter	Screw lead
G0601	6mm	1mm
G0602	6mm	2mm
G0606	6mm	6mm

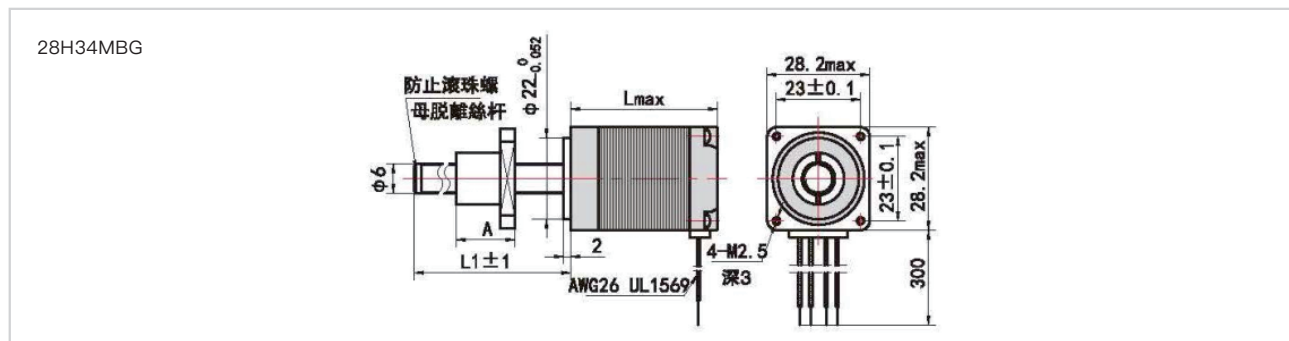
可选配件 ACCESSORIES

HX12500-6Y Motor Cable 0.4m
ZK-ENC-500 Encoder Cable 0.5m
Motor Controllers / Drives

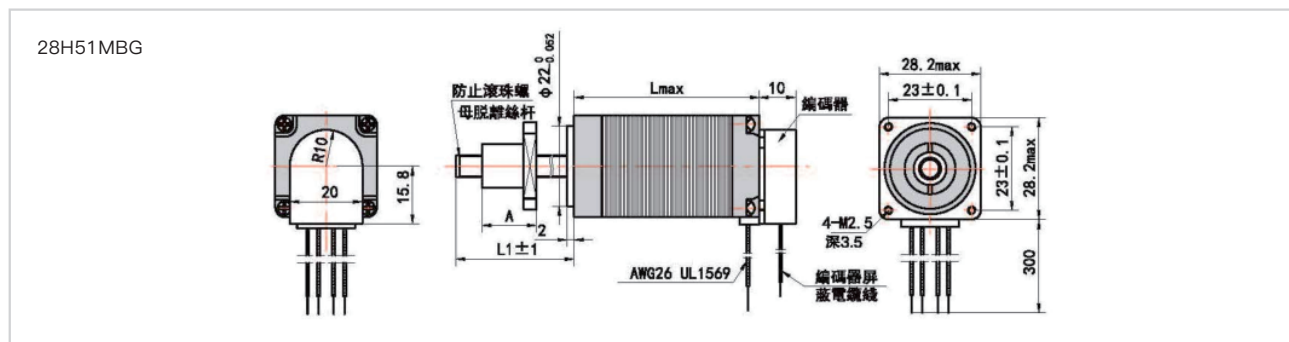
28MBG外部驱动式滚珠直线步进电机

External Linear Actuator With Ball Screw – NEMA 11

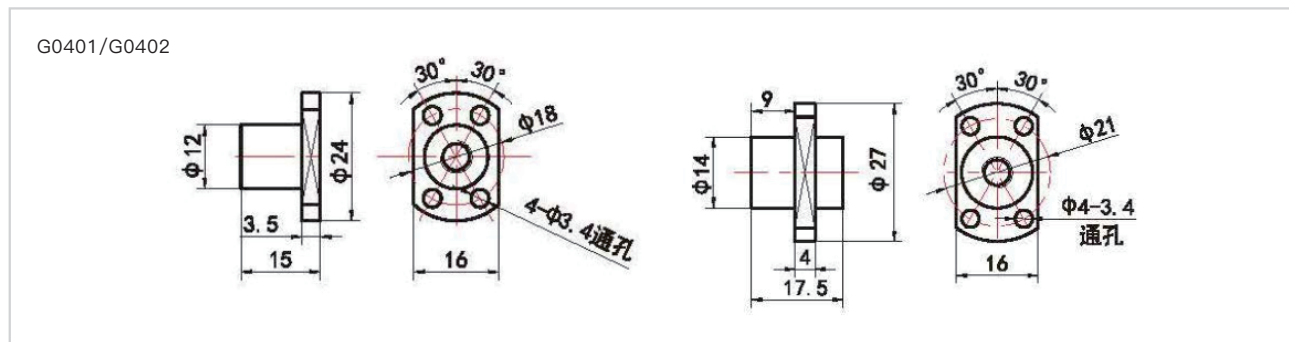
DIMENSIONS (IN MM)



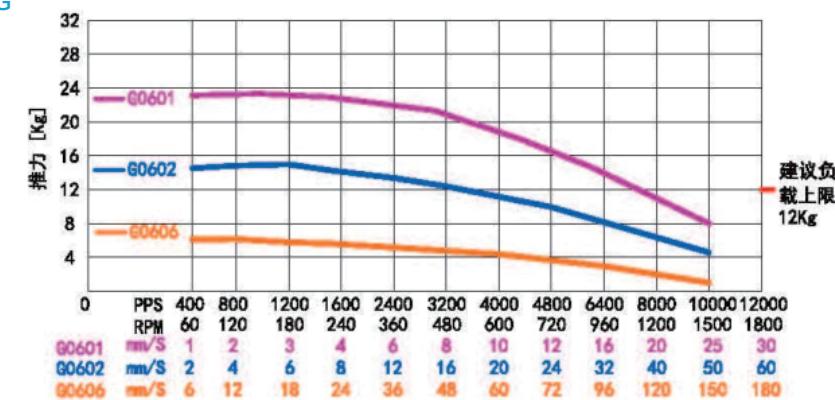
DIMENSIONS (IN MM)



DIMENSIONS (IN MM)



Force-Velocity Curve-28H34MBG

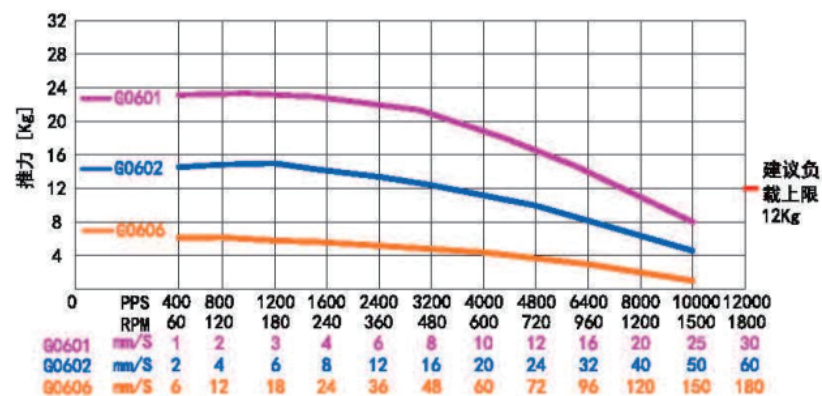


*Measured in the laboratory, safety margin must be greater than the above value 30% to 50%

28MBG外部驱动式滚珠直线步进电机

External Linear Actuator With Ball Screw – NEMA 11

Force-Velocity Curve-28H51MBG



*Measured in the laboratory, safety margin must be greater than the above value 30% to 50%

35MBG外部驱动式滚珠直线步进电机

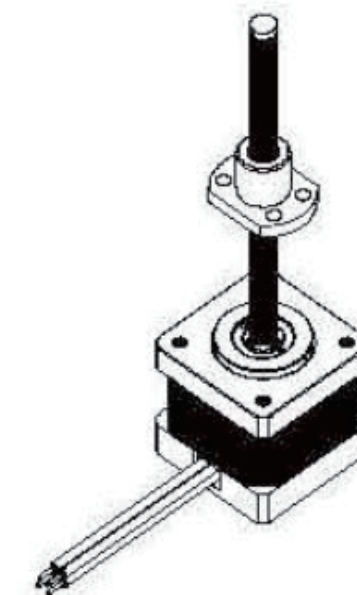
External Linear Actuator With Ball Screw – NEMA 14

Nema14外部线性执行器集成了滚珠丝杠和电机，无联轴器，使用寿命更长，精度更高。提供不同长度的螺钉。还提供用于位置反馈的内置编码器。适用于医疗，光学和其他应用

Nema14 external linear actuator integrated ball screw & motor, without coupling. Provide longer life and better accuracy. Screws of different lengths available. A built-in encoder for position feedback is also available. Suitable for medical, optical and other applications

Feature

- Integrated ball screw & motor 集成滚珠丝杠和电机
- Longer life and higher accuracy 更长的寿命和更高的精度
- Different lengths available 提供不同长度
- A built-in encoder available. 提供内置编码器。
- Motor Controllers / Drives available 电机控制器/驱动器可用
- 0.0002mm/step with our controller 使用控制器时，0.0002mm /步



VERSIONS

系列代码 Series models	35H34MBG
相电流 Current per Winding A	1.0
静力矩 Holding Torque mN.m	160
相电阻 Resistance per Winding Ohm	2.7
相电感 Inductance per Winding mH	3
转子惯量 Rotor Inertia gcm ²	18
电机重量 Weight kg	0.18
电机高度 Length "L" mm	34
螺杆长度 Screw length*L1	Different lengths available
反馈装置 Feedback	Encoder(Closed-loop version)

订货代号 ORDER IDENTIFIER

35H34MBG0601E2000-L1
 MBG0601=Ball Screw code
 丝杠代码

 L1 = Screw length
 丝杠长度

 E2000=Encoder resolution(Optional)
 编码器分辨率 (可选)

可选螺杆 Screw optional

Screw	Diameter	Screw lead
G0601	6mm	1mm
G0602	6mm	2mm
G0606	6mm	6mm
G0802	8mm	2mm
G0805	8mm	5mm

可选配件 ACCESSORIES

ZK-ENC-500 Encoder Cable 0.5m
 *Length can be customized
Motor Controllers / Drives